



Precision Imagery for Critical Applications

[3D 26-inch Medical Grade LCD Color Monitor]

MLW-2627C-DC Type3D

Supporting work in the digital surgery era.

The MLW-2627C-DC Type3D reproduces a realistic 3D image with a high brightness of 400cd/m^2 [2D : 850cd/m^2] providing a high-definition image with the color reproduction and functionality required in the medical field.

Pursuing the exceptional quality for medical applications

High Luminance 3D

Featuring 400cd/m^2 brightness, High Luminance 3D imagery, for lively real-life picture quality.

Applicable Diverse 3D Signals (HD-SDI x 2 and DVI-D x 2)

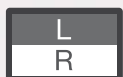
Applicable to diverse 3D signals such as side by side, line by line, top & bottom and SIMAL (simultaneous). Two of input signals not only HD-SDI but also DVI-D are available. It is also possible to use as 2D monitor.



Side by Side



Line by Line



Top & Bottom



SIMAL (simultaneous)

Hyper Image Enhancer

By controlling the chromaticity, luminance, and edge enhancement of a specific color space, the The MLW-2627C-DC Type3D is able to improve the reproduction of difficult areas within a picture.

Dynamic Image Contrast Enhancer

By calculating the brightness of the entire screen and extending the dynamic range between white and black in real time, automatically optimized black level and high contrast are achieved.

Variety of friendly features

Multi-channel Function with Side-by-Side and Picture-in-Picture

The input signal can be displayed simultaneously with side-by-side or picture-in-picture display modes.



■ side-by-side



■ picture-in-picture

Signal Combinations

	Video	S-Video	HD15(D-sub15p)	DVI-1	DVI-2	SDI-1	SDI-2
Video	○	○	○	○	○	○	○
S-Video	○	○	○	○	○	○	○
HD15(D-sub15p)	○	○	○	○	○	○	○
DVI-1	○	○	○	○	○	○	○
DVI-2	○	○	○	○	○	○	○
SDI-1	○	○	○	○	○	○	○
SDI-2	○	○	○	○	○	○	○

User Preset Memory

It has a user preset function for easy setting and adjusting of the display mode and setup of image adjustment. Up to eight settings can be saved as a preset, and recalled when needed.

Function Key

For convenient use, a frequently used function can be assigned to the Function key to select instantly.

Flip Function

Images can be flipped horizontally and vertically.



Still Image

It is possible to check with a still image against the current video. The input video and memorized still image can be compared on the screen.

Touch Switch

A touch switch is fitted for easy operation.

* The picture is a composite image.

Specifications

LCD Panel Size	26-inch
Backlight System	LED
Display Size	576(H) × 324(V)mm
View Angle	178°(up&down / left&right)
Maximum Brightness	3D : 400cd/m ² (Typical) 2D : 850cd/m ² (Typical)
Contrast Ratio	1400:1 (Typical)
Pixels	1920(H) × 1080(V)va
Color Gradient	1,073,740,000
VIDEO Input	
Signal and Connector	composite (VBS) 1CH:BNC (with loop through) Y/C (S-VIDEO) 1CH:S terminal (with loop through)
RGB/Component Input	
Signal and Connector	R,G,B or Y,Pb,Pr 1CH:HD-15 [D-Sub 15pin] (with loop through)
DVI Input	
Signal and Connector	DVI-D (equipped with cable compensation equipment:Max.30m) 2CH:DVI-D 24pin Max. clock 162MHz (with loop through 1CH)
SDI Input	
Signal and Connector	3G-SDI (Level A)/HD-SDI/SD-SDI 2CH:BNC (with loop through 2CH)
3D display	Available for signals:1080i / 50, 60, 1080P / 50, 60 Input : SDI / DVI Type of signals : Simul, Side by side (Half), Side by side (T2), Top and bottom, Line by line
DC5V Output	1A output
Safety Approval	ANSI/AAMI ES60601-1, CSA C22.2 No. 60801-1, EN60601-1, GB4943.1-2011
EMC	FCC Class A, VCCI Class A EN60601-1-2, GB9254-2008 (Class A) GB17625.1-2012
Power Requirement	Monitor : DC 24V ±1V AC adapter : 100 to 120V/200 to 240V
Power Consumption	100W or less
Ambient Temperature	+5°C to +35°C
Dimensions	W640 × H405 × D84mm (excluding protrusions)
Weight	approx. 8.3kg (excluding stand)

Available Display Signal for DVI-D/HD15 (D-Sub15p)

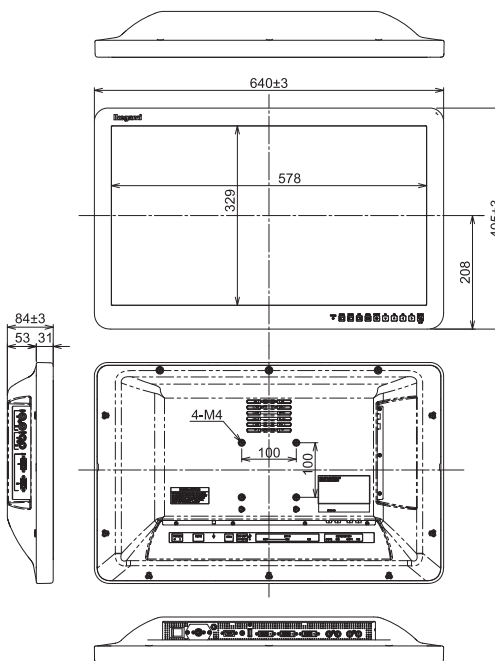
DVI-D	VGA, SVGA, XGA, SXGA, WUXGA 480i/60, 575i/50, 1080i/60, 1080i/50, 720P/60, 720P/50, 1080P/60, 1080P/50
HD15 (D-Sub15p)	VGA, SVGA, XGA, SXGA, WUXGA 480i/60*, 575i/50*, 1080i/60*, 1080i/50*, 720P/60, 720P/50, 1080P/60, 1080P/50

* Available for only G-Sync

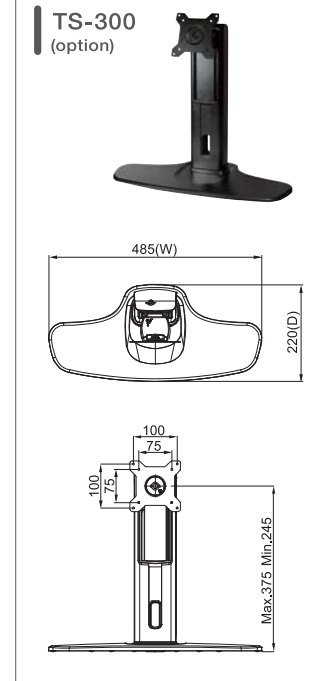
Connectors



Dimensions (mm)



TS-300 (option)



Design and specifications are subject to change without notice.

Ikegami Tsushinki Co.,Ltd.

■ URL : <http://www.ikegami.co.jp/en/>

- Head Office : 5-6-16 Ikegami, Ohta-ku, Tokyo 146-8567, Japan TEL.+81-(0)3-5700-1111 / FAX.+81-(0)3-5700-1137
- Overseas Sales Division : 5-6-16 Ikegami, Ohta-ku, Tokyo 146-8567, Japan TEL.+81-(0)3-5700-4117 / FAX.+81-(0)3-5748-2200
- Beijing Office : Room No.307 Tower B, Jia Tai International Mansion No.41East Fourth Ring Road, Chaoyang District, Beijing China TEL.+86-(0)10-85710350 / FAX.+86-(0)10-85711804

Ikegami Electronics (U.S.A.), INC.

■ URL : <http://www.ikegami.com>

- Headquarters : 37 BROOK AVENUE, MAYWOOD, NJ 07607, U.S.A. TEL.+1-201-368-9171 / FAX.+1-201-569-1626

Ikegami Electronics (Europe) GmbH

■ URL : <http://www.ikegami.de>

- Headquarters : Ikegami Strasse 1, D-41460 Neuss, Germany TEL.+49-(0)2131-1230 / FAX.+49-(0)2131-102820
- U.K. Branch : 1 Windmill Business Village, Brooklands Close, Sunbury on Thames, TW16 7DY, England TEL.+44-(0)1932-769700 / FAX.+44-(0)1932-769710

Ikegami Electronics Asia Pacific Pte.Ltd. ■ URL : <http://sg.ikegami.co.jp>

- Headquarters : 1 Tampines Central 5, #03-03 CPF Tampines Building, Singapore 529508 TEL.+65-6260-8820 / FAX.+65-6260-8896



U378A172-IB



Certified JQA-Q755

Certified JQA-EV3588