

## Triple Scalable IP Network System

Network Camera

**IPD-Q01P** (PAL Model)

**IPD-Q01** (NTSC Model)

FOCUS ADJ



**Ikegami** Network Camera



Network Encoder

**IEN-T01P** (PAL Model)

**IEN-T01** (NTSC Model)

## ULTIMATE NETWORK SOLUTIONS PROVIDED BY IKEGAMI THE ULTIMATE INNOVATOR

The image you want with the quality and size for your needs.

Clients' requirements vary according to the environment and conditions of use; picture quality, resolution and frame rate can be set to individual needs delivering the best monitoring with minimum delay for your requirements. We use "JPEG2000 compression" with its high compression capability, and high picture quality as well as stable transmission bit rate and reduced transmission errors and noise. Ikegami brings you the reliable image monitoring network systems with the very latest technology.

■ Features the Motion Detector function based on Ikegami's unique algorithms that permit accurate operation under poor conditions, including outdoor operation.

■ The Privacy Mask function allows masks to be set at multiple positions on the screen.

■ The video images can be coupled with microphones and speakers or other types of sensor.

■ Power Over Ethernet (PoE) is adopted to provide the camera power supply and image transmission over a single cable.

■ The Alarm Mail function sends an e-mail when the camera receives an alarm input.

■ Up to 380 frames of alarm images can be recorded internally: pre-alarms 0 to 4 s, post-alarms 1 to 4 s.

■ Provides a smooth camera-operating environment with extremely short image display delays (approx. 150 ms) compared to conventional digital systems.

# JPEG2000 Compression

## Ikegami Image Monitoring Network System based on Novel Technologies

JPEG2000 offers significantly improved compression compared to conventional JPEG compression.

Ikegami Triple Scalable IP network products utilize wavelet based JPEG2000 technology due to its high image quality, resistance to transmission interruptions and its scalability.

Ikegami delivers the optimal system to reliably capture the "vital instant," which is so essential for security applications. JPEG2000 is the next generation of compression standard for commercial applications that will ensure reliable operation into the future.

Network Camera & Network Encoder

**IPD-Q01P** (PAL Model) / **IPD-Q01** (NTSC Model)

**IEN-T01P** (PAL Model) / **IEN-T01** (NTSC Model)



### Incorporating JPEG2000 Next-generation Compression Standard for Static Images



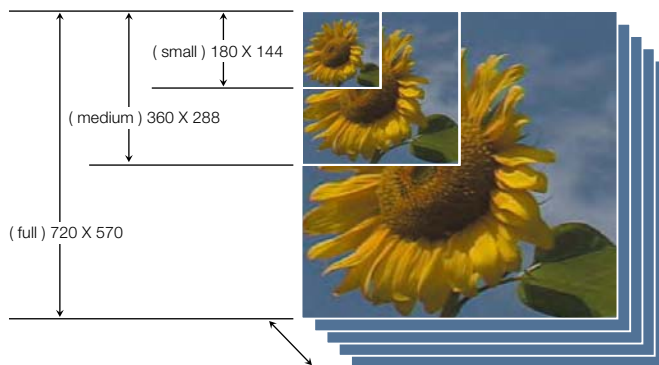
JPEGimage (44KB)



JPEG2000image (32KB)

Compared to the normal JPEG images we see today, JPEG2000 fully eliminates block noise to achieve overwhelmingly superior image quality while significantly saving data capacity. Ikegami remains focused on high image quality to capture the vital instant that is so critical for security applications.

### Ikegami Triple Scalable IP Network System Provides Three Distribution functions



JPEG2000 video streams can be simultaneously distributed to display monitors of different resolution (size), frame rate (frequency) and quality. Ikegami Triple Scalable IP network products can provide 105 variations to suit your monitoring needs.

- ① Size ( Resolution )
- ② Image quality ( 5 steps:A,B,C,D,E )
- ③ Frame rate ( Frequency ) 25,12,8,5,3,2,1

### Built-in Web Server Simple System Operation without Special Software

The Ikegami Network Monitoring System permits sharing of the necessary image information anywhere and anytime. All system equipment incorporates web server functions to permit monitoring, camera operations, and image recording on your PC browser screen. Naturally, access rights can be set for each user. Multi-level password protection ensures total security.

### Easy Settings

Just connect the equipment to the Ethernet. No extra camera power supply is required to install thanks to PowerOverEthernet which provides the camera power supply and image transmission via a single cable. Just connect to the network and use the Easy Setup function to easily set IP addresses for all cameras. Previously complex network settings now couldn't be easier.

**Incorporates all the required operation functions, not just transmission and recording of high-quality images.**  
**Ikegami's unique technologies meet the strictest demands of the professional.**

## Comprehensive Operation Support functions



### Motion Detection for Outdoor-use

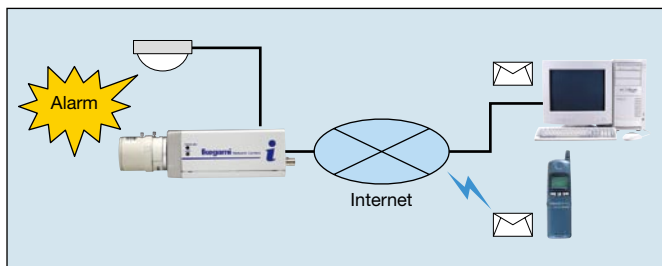
Many conventional cameras suffered reliability problems due to false alarms they generated because of movements, such as the swaying of tree leaves or the shimmering of a water surface. The Motion Detector function captures the movements of objects at high accuracy to reduce false alarms. Masking functions cancel detection in unwanted areas of the image to achieve even more reliable operation.



### Privacy Zones Mask

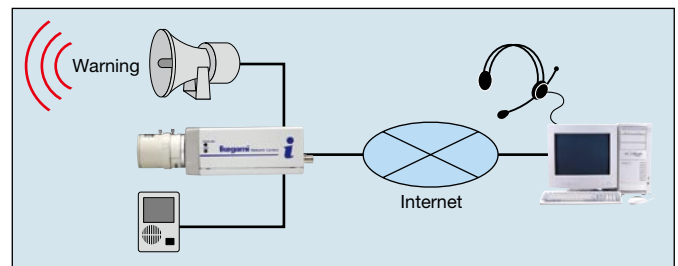
A mask can be applied to any area of the image to protect individual privacy. Multiple privacy zones can be set on an image. The mask type can be selected as mosaic, white, grey, or black. The Privacy Zones Mask functions can be used together with the Motion Detector function.

### Alarm e-mail Function



When an alarm e-mail is received, access the camera to confirm what is happening at that instant. Alarms can be notified by e-mail to up to four destination addresses. Alarm e-mails can contain text information only. The camera encoder can record up to 380 frames of pre-alarm or post-alarm images. For example, four alarms can be recorded with a setting of 4 seconds pre-alarm + 4 seconds post-alarm at 10 fps.

### Bi-directional Audio Network

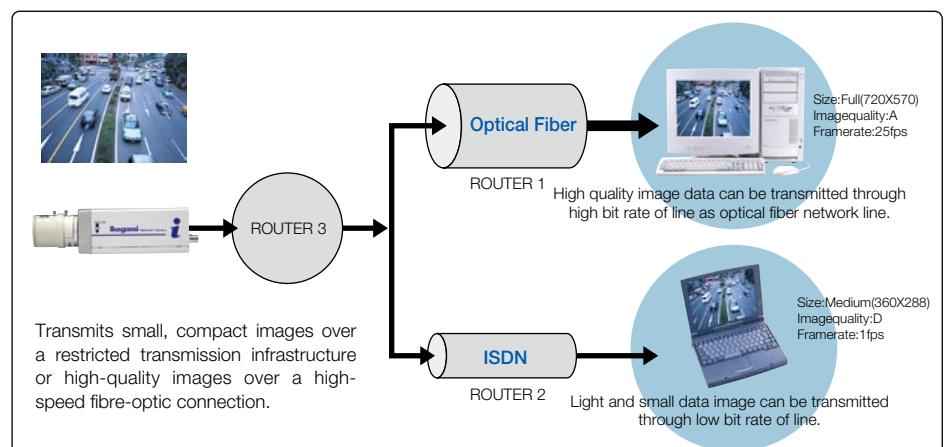


The bi-directional audio network allows voice warnings to be given to suspicious persons using a microphone and permits confirmation of captured sounds.

## Scalable Streaming

### Scalable Streaming for All Environments and Situations

The system configuration is unaffected by the existing infrastructure environment. It allows comfortable monitoring of the required images at the optimal image quality and size and with little delay.



Transmits small, compact images over a restricted transmission infrastructure or high-quality images over a high-speed fibre-optic connection.

### IP Network Image Data Transmission

Size: Full(720X570)  
Imagequality: A  
Framerate: 25fps

High quality image data can be transmitted through high bit rate of line as optical fiber network line.

Size: Medium(360X288)  
Imagequality: D  
Framerate: 1fps

Light and small data image can be transmitted through low bit rate of line.

# Triple Scalable IP Network System

## Network Camera & Network Encoder

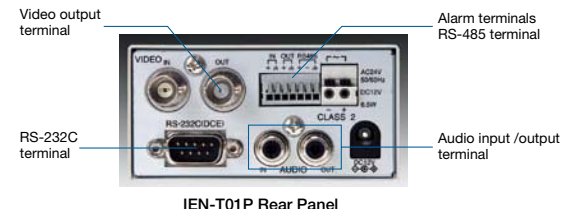
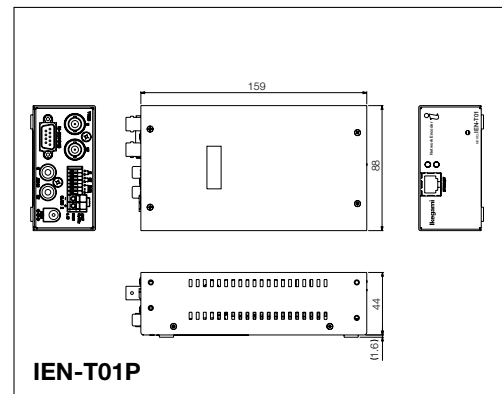
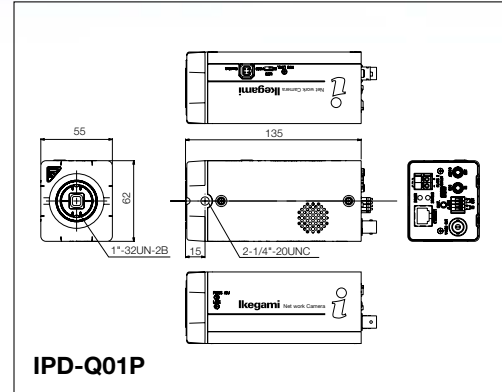
### IPD-Q01P (PAL Model) / IPD-Q01 (NTSC Model) IEN-T01P (PAL Model) / IEN-T01 (NTSC Model)



#### Specification

|                           | IPD-Q01P(PAL)/IPD-Q01(NTSC)   | IEN-T01P(PAL)/IEN-T01(NTSC)   |
|---------------------------|---|---|
| Video Input               | —   | VBS 1.0Vp-p/75ohm (PAL/NTSC)  |
| Image Devise              | 1/3 inch Interline Transfer CCD   | —   |
| Effective pixels          | Approx.440,000 pixels(PAL)<br>Approx. 380,000 pixels(NTSC)  | —   |
| Video output              | VBS 1.0Vp-p/75 ohm (PAL/NTSC)   | VBS1.0Vp-p/75 ohm (PAL/NTSC), Loop through  |
| S/N Ratio                 | Over 48dB   | —   |
| Minimum Illumination      | 1.0 lx / F1.4 (0.74 lx / F1.2) [50IRE]  | —   |
| Back Light Compensation   | On/ Off switchable  | —   |
| AES Function              | On / Off switchable, AES range 1:1600   | —   |
| White Balance             | Automatic Tracking White Balance  | —   |
| AGC                       | On/ Off switchable  | —   |
| Auto Iris Function        | Video Iris / DC Iris selectable   | —   |
| Camera ID Function        | Provided (16 characters in one line, analog output only)  | —   |
| Remote Setup              | Possible over Client PC   |   |
| Lens Mount                | CS Mount / C Mount (with adaptor)   | —   |
| Image Quality             | PAL:720x576, 720x288, 360x288, 360x144, 180x144, 180x72<br>NTSC:720x480, 720x240, 360x240, 360x120, 180x120,180x60  |   |
| Compression               | JPEG2000  |   |
| Image Quality             | 5 Levels  |   |
| Frame rate                | PAL : 25fps Max<br>NTSC: 30fps Max  | Frame rate control:7 levels   |
| Audio                     | ADPCM interactive<br>Microphone input:-60 dBV,1k ohm unbalanced<br>Line output:-10 dBV,600 ohm unbalanced   | ADPCM interactive<br>Line input:-10 dBV,10k ohm unbalanced<br>Line output:-10 dBV,600 ohm unbalanced  |
| Motion Detection Function | Provided (masking presettable)  |   |
| Image recording Function  | Alarm and pre-alarm (time specified)  |   |
| Alarm Mail Function       | Alarm and pre-alarm (time specified)  |   |
| Network Interface         | Ethernet (10BASE-T/100BASE-TX)  |   |
| Protocol                  | TCP/IP, HTTP ,SMTP, POP3, DHCP, NTP   |   |
| Monitoring                | Internet Explorer 6.0   |   |
| Power Requirement         | AC24V±10% 50/60Hz / DC12V (10.5V to 15V) PoE(IEEE 802.3af)  |   |
| Power Consumption         | PAL:AC24V Approx. 7.5W<br>DC12V Approx. 6.5W<br>NTSC:AC24V Approx. 8.0W<br>DC12V Approx. 7.0W   | PAL:AC24V Approx. 6.0W<br>DC12V Approx. 5.5W<br>NTSC:AC24V Approx. 6.0W<br>DC12V Approx. 5.5W   |
| Ambient Temperature       | -10°C to +50°C  |   |
| Camera Mount              | 1/4" -20UNC(Upper/Bottom)   |   |
| Dimensions                | W62 x H55 x D135 mm   | W88 X H44 X D159mm  |
| Weight                    | 570g  | 570g  |
| Input / Output connectors | Ethernet: RJ-45<br>Video Out: BNC<br>Mic In: 3.5mm monaural mini-jack, plug-in power type<br>Audio Out: 3.5mm monaural mini-jack<br>Lens: 4P (applicable plug E4-191J-150 or equivalent)<br>AC24V/DC12V: 2P push-in terminal (common for AC/DC)<br>Alarm: 4P push-in terminal (one each for In and Out) | Ethernet: RJ-45<br>Video In: BNC (automatic termination)<br>Video Out: BNC (loop through)<br>Audio In: Pin jack<br>Audio Out: Pin jack<br>Lens:4P (applicable plug E4-191J-150 or equivalent)<br>AC24V/DC12V: 2P push-in terminal (common for AC/DC)<br>DC12V: AC adaptor jack<br>Alarm: 4P push-in terminal (one each for In and Out)<br>RS-485: 3P push-in terminal<br>RS-232C: 9P D-Sub (male) |

#### Dimensions



Design and specifications are subject to change without notice.

\*NTSC versions are not available with CE Mark.

U126A0611-H15

**Ikegami Tsushinki Co.,Ltd.**

■ URL : <http://www.ikegami.co.jp/en/>

■ **Head Office**

5-6-16 Ikegami, Ohta-ku, Tokyo 146-8567, Japan TEL.+81-(0)3-5700-1111 / FAX.+81-(0)3-5700-1137

■ **Overseas Sales Division**

5-6-16 Ikegami, Ohta-ku, Tokyo 146-8567, Japan TEL.+81-(0)3-5700-4117 / FAX.+81-(0)3-5700-4120

**Ikegami Electronics (Europe) GmbH** ■ URL : <http://www.ikegami.de>

<http://www.ikegami.co.uk>

■ **Headquarters**

Ikegami Strasse 1, D-41460 Neuss, Germany TEL.+49-(0)2131-1230 / FAX.+49-(0)2131-102820

UK CUSTOMER SUPPORT HELP LINE TEL.+44-(0)560-043-3769



Accredited by the Dutch Council for Certification