

JPEG2000 Triple Scalable IP Network System

Network Camera

IPD-Q38P

[PAL Model]

IPD-Q38

[NTSC Model]



ULTIMATE NETWORK SOLUTIONS PROVIDED BY IKEGAMI THE ULTIMATE INNOVATOR

The image you want with the quality and size for your needs.

Clients' requirements vary according to the environment and conditions of use; picture quality, resolution and frame rate can be set to individual needs delivering the best monitoring with minimum delay for your requirements. We use "JPEG2000 compression" with its high compression capability, and high picture quality as well as stable transmission bit rate and reduced transmission errors and noise. Ikegami brings you the reliable image monitoring network systems with the very latest technology.

■ Employing "JPEG2000" which has an error-tolerant characteristics for transmission, Ikegami's IP Network System provides a stable video transmission system. Even if it is a high compressed image data, "JPEG2000" retains high quality of picture images.

■ Features the Motion Detector function based on Ikegami's unique algorithms that permit accurate operation under poor conditions, including outdoor operation.

■ Privacy Mask function allows masks to be set at multiple positions on the screen.

■ Wide light dynamic range for good reproduction in various light conditions, even if it is a scene with a big difference in the intensity of illumination.

■ True Day/Night function enables to switch the colour picture in daytime, and the monochrome picture with high sensitivity and high quality in night time.

■ It covers wide range with featuring High Speed Pan/Tilt drive with maximum 420°/sec (at preset mode), Pan angle of 360° endless and 35 times zoom lens (f3.4mm~119mm). And the 10 times digital zoom function enables the zooming-up to the maximum of 350 times.

■ The Electronic Sensitivity Control function up to 32 times realizes the high sensitivity of 0.05lx/F1.4 in colour and of 0.005lx/F1.4 in monochrome.

■ Handy One-click targeting function making a quick centering of the desired object and zoom in on a screen by mouse.

■ The Alarm Mail function sends an e-mail when the camera receives an alarm input.

■ Up to 380 frames of alarm images can be recorded in the built-in memory of IEN-T01P/IEN-T01. Pre-alarms 0 to 4 seconds and post-alarms 1 to 4 seconds can be selected.

■ Provides a smooth camera-operating environment with extremely short image display delays (approx. 150 ms) compared to conventional digital systems.

JPEG2000 Triple Scalable IP Network System

Network Camera

IPD-Q38P [PAL Model]

IPD-Q38 [NTSC Model]



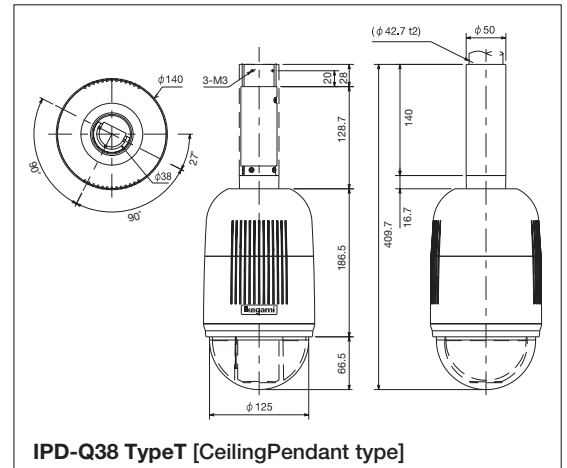
Specification

| IPD-Q38P(PAL)/IPD-Q38(NTSC) | |
|-----------------------------|--|
| | Ceiling Pendant type(TypeT) Flush/Tile mount type(TypeU) |
| Image Sensor | 1/4 inch High sensitive CCD sensor |
| Pixel Number | PAL : Approx. 440,000 pixels, Effective 752(H) x 582(V) NTSC : Approx. 380,000 pixels, Effective 768(H) x 494(V) |
| S/N Ratio | 50dB or more (Detail off, Weight ON) |
| Minimum Illumination | In color mode; (Video Output 50 IRE) 1lx, F1.4 (Electronic Sensitivity Control: OFF) 0.05lx, F1.4 (Electronic Sensitivity Control: x32) In Monochrome mode; (Video Output 50 IRE) 0.1lx, F1.4 (Electronic Sensitivity Control: OFF) 0.005lx, F1.4 (Electronic Sensitivity Control: x32) |
| Wide Light Dynamic Range | Built-in, Level adjustable |
| Day and Night | Built-in |
| White Balance | Automatic Tracking White Balance |
| Auto Iris Control | Automatic Control on the exclusive use zoom lens |
| Automatic Focus Function | Built-in, High Accuracy Type |
| Rotation Angle | Pan, 360 degree endless / Tilt, 0° to 180° |
| Moving Speed | Pan, Max. 420° per sec. / Tilt, Max. 420° per sec. |
| Pixel Size | PAL: 720x576, 720x288, 360x288, 360x144, 180x144, 180x72 NTSC: 720x480, 720x240, 360x240, 360x120, 180x120, 180x60 |
| Video Compression System | JPEG2000 |
| Picture Quality | 5 Levels |
| Frame rate | PAL: 25fps Max NTSC: 30fps Max Frame rate control: 7 levels |
| Audio Function | ADPCM interactive Mic input: -60 dBV, 1kΩ unbalanced, Plug-in Power Line output: -10 dBV, 600Ω unbalanced |
| Privacy Masking Function | 16 Square pixel area Min / 8 Points (without Alarm setting) Max |
| Motion Detection Facility | Built-in, Area Adjustable and Level Adjustable Patent pending Anti-interference algorithm |
| Alarm Recording | Built-in Pre-alarm recording and alarm recording |
| Mailing Function | Built-in (POP before SMTP and SMTP-AUTH Supporting) |
| Network | Ethernet (10BASE-T/100BASE-TX) |
| Protocol | TCP/IP, HTTP, SMTP, POP3, DHCP, NTP |
| Monitoring | Internet Explorer 6.0 or later |
| Power Requirement | AC24V±10% 50/60Hz |
| Power Consumption | Approx. 19W or less |
| Operating Temperature | -10°C to +50°C |
| External Dimensions | φ140 x 409.7mm φ215 x 270mm |
| Weight | Approx 2.7 kg Approx 3.2 kg |
| Input/Output connectors | Ethernet: RJ-45 Terminal Block Power/Audio/Mic/Alarm Input Power/Audio/Mic/Alarm Input, Alarm Output |

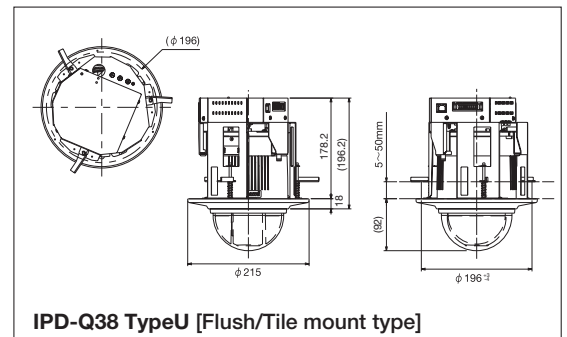
Ikegami Tsushinki Co., Ltd homepage about security
<http://www.ikegami.co.jp/en/products/security/network>

Design and specifications are subject to change without notice.

Dimensions: mm

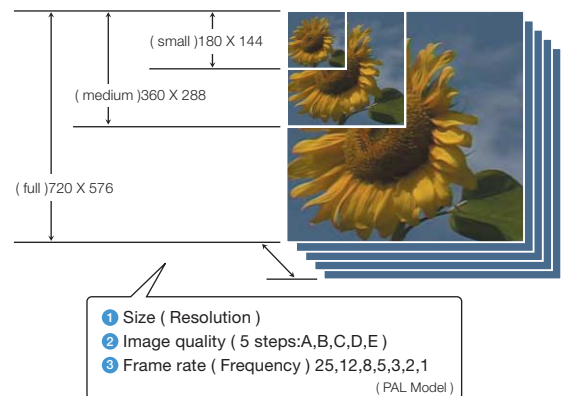


IPD-Q38 TypeT [CeilingPendant type]



IPD-Q38 TypeU [Flush/Tile mount type]

Ikegami Triple Scalable IP Network System Provides Three Distribution functions



JPEG2000 video streams can be simultaneously distributed to display monitors of different resolution (size), frame rate (frequency) and quality. Ikegami Triple Scalable IP network products can provide 105 variations to suit your monitoring needs.

*NTSC versions are no available with CE Mark.



U149A081-H14

Ikegami Tsushinki Co., Ltd.

■ URL : <http://www.ikegami.co.jp/en/>

■ **Head Office**

5-6-16 Ikegami, Ohta-ku, Tokyo 146-8567, Japan TEL. +81-(0)3-5700-1111 / FAX. +81-(0)3-5700-1137

■ **Overseas Sales Division**

5-6-16 Ikegami, Ohta-ku, Tokyo 146-8567, Japan TEL. +81-(0)3-5700-4117 / FAX. +81-(0)3-5700-4120

Ikegami Electronics (Europe) GmbH

■ URL : <http://www.ikegami.de>

<http://www.ikegami.co.uk>

■ **Headquarters**

Ikegami Strasse 1, D-41460 Neuss, Germany TEL. +49-(0)2131-1230 / FAX. +49-(0)2131-102820

UK CUSTOMOR SUPPORT HELP LINE TEL. +44-(0)560-043-3769



Accredited by the Dutch Council for Certification