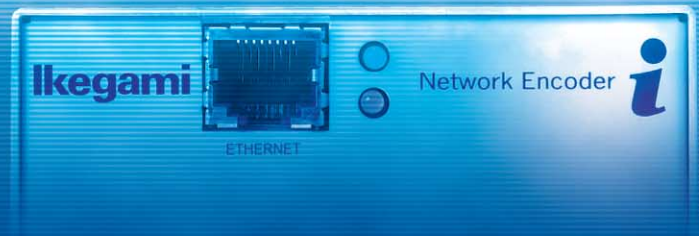


JPEG2000 Triple Scalable IP Network System

Network Encoder

IEN-T01P [PAL Model]

IEN-T01 [NTSC Model]



Network Decoder

IDE-V01P [PAL Model]

IDE-V01 [NTSC Model]

ULTIMATE NETWORK SOLUTIONS PROVIDED BY IKEGAMI THE ULTIMATE INNOVATOR

The image you want with the quality and size for your needs.

Clients' requirements vary according to the environment and conditions of use; picture quality, resolution and frame rate can be set to individual needs delivering the best monitoring with minimum delay for your requirements. We use "JPEG2000 compression" with its high compression capability, and high picture quality as well as stable transmission bit rate and reduced transmission errors and noise. Ikegami brings you the reliable image monitoring network systems with the very latest technology.

■ Employing "JPEG2000" which has an error-tolerant characteristics for transmission, Ikegami's IP Network System provides a stable video transmission system. Even if it is a high compressed image data, "JPEG2000" retains high quality of picture images.

■ Motion detector function of IEN-T01P/IEN-T01 is based on Ikegami's unique algorithms that permit accurate operation under poor conditions, including outdoor operation.

■ Privacy mask function of IEN-T01P/IEN-T01 allows masks to be set at multiple positions on the screen.

■ The video images can be coupled with microphones and speakers or other types of sensor.

■ PowerOverEthernet (PoE) is adopted to provide the camera power supply and image transmission over a single cable.

■ The Alarm Mail function sends an e-mail when the camera receives an alarm input.

■ Up to 380 frames of alarm images can be recorded in the built-in memory of IEN-T01P/IEN-T01. Pre-alarms 0 to 4 seconds and post-alarms 1 to 4 seconds can be selected.

■ Provides a smooth camera-operating environment with extremely short image display delays (approx. 150 ms) compared to conventional digital systems.

■ The local recording/playing-back at IDE-V01P/IDE-V01 is available from 13 seconds to 400 seconds by operating front panel buttons. (Recording durations are depends on frame rates and data sizes.)

JPEG2000 Triple Scalable IP Network System

Network Encoder

IEN-T01P [PAL Model]

IEN-T01 [NTSC Model]

Network Decoder

IDE-V01P [PAL Model]

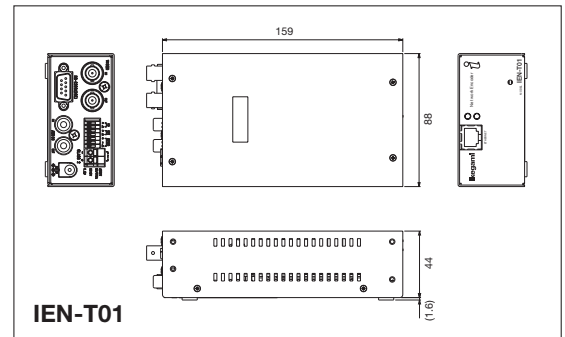
IDE-V01 [NTSC Model]



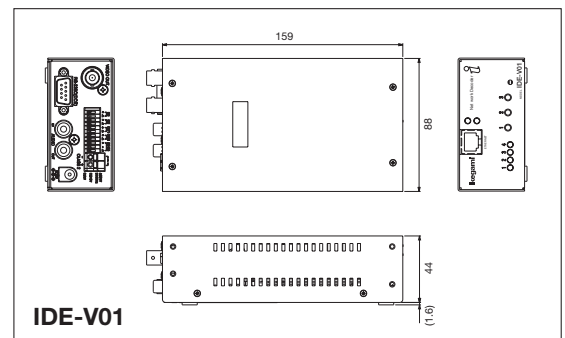
Specification

	IEN-T01P(PAL)/IEN-T01(NTSC)	IDE-V01P(PAL)/IDE-V01(NTSC)	
Video Input	VBS 1.0Vp-p/75Ω(PAL/NTSC)	—	
Video output	VBS 1.0Vp-p/75Ω unbalanced (PAL/NTSC)		
Pixel size	PAL:720x576, 720x288, 360x288, 360x144, 180x144, 180x72		
	NTSC:720x480, 720x240, 360x240, 360x120, 180x120, 180x60		
Image Compression format	JPEG2000		
Image Quality	5 Levels		
Frame rate	PAL : 25fps Max NTSC: 30fps Max Frame rate control:7 levels		
Audio	ADPCM interactive Line input:-10dBV,10kΩ unbalanced Line output:-10dBV, 600Ω unbalanced		
Privacy Masking Function	Provided (masking presettable)	—	
Motion Detection Function	Provided (masking presettable)	—	
Image recording Function	Alarm and pre-alarm (time specified)	Received images (up to 400 pictures recordable)	
Alarm Mail Function	Alarm and pre-alarm	—	
Network	Ethernet (10BASE-T/100BASE-TX)		
Protocol	TCP/IP, SMTP, POP3, DHCP,HTTP, NTP	TCP/IP, DHCP,HTTP, NTP	
Monitoring	Internet Explorer 6.0 or later	—	
Supply Power	AC24V±10% 50/60Hz / DC12V (10.5V to 15V) PoE(IEEE 802.3af)		
Power Consumption	PAL:AC24V Approx. 6.0W	PAL:AC24V Approx. 6.5W	
	PAL:DC12V Approx. 5.5W	PAL:DC12V Approx. 5.5W	
	NTSC:AC24V Approx. 6.5W	NTSC:AC24V Approx. 6.5W	
	NTSC:DC12V Approx. 5.5W	NTSC:DC12V Approx. 5.5W	
Ambient Operating Temperature	-10°C to +50°C		
Dimensions	W88 X H44 X D159mm		
Weight	Approx 570g		
Input/Output connectors	Ethernet	RJ-45	
	Video In	BNC (automatic termination)	—
	Video Out	BNC (loop through)	BNC
	Audio In	Pin jack	RCA
	Audio Out	Pin jack	RCA
	AC24V/DC12V	2P push-in terminal (common for AC/DC)	
	DC12V	AC adaptor jack	
	Alarm terminals	4P push-in terminal (one each for IN and OUT)	8P push-in terminal (one each for IN and OUT)
	RS-485	3P push-in terminal	
	RS-232C	9P D-Sub (male)	

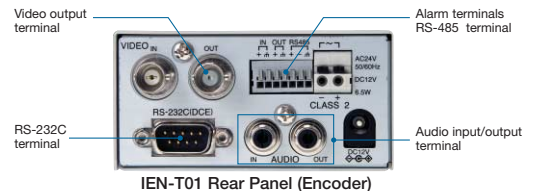
Dimensions:mm



IEN-T01



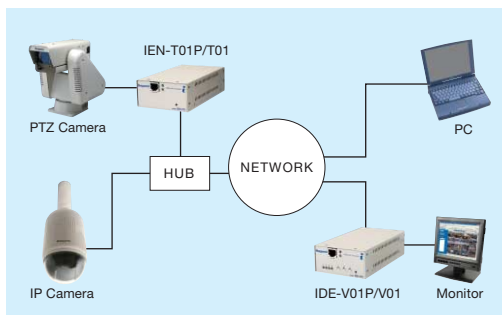
IDE-V01



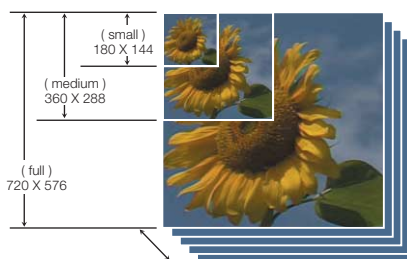
IEN-T01 Rear Panel (Encoder)



IDE-V01 Rear Panel (Decoder)



Ikegami Triple Scalable IP Network System Provides Three Distribution functions



JPEG2000 video streams can be simultaneously distributed to display monitors of different resolution (size), frame rate (frequency) and quality. Ikegami Triple Scalable IP network products can provide 105 variations to suit your monitoring needs.

- 1 Size (Resolution)
- 2 Image quality (5 steps:A,B,C,D,E)
- 3 Frame rate (Frequency) 25,12,8,5,3,2,1 (PAL Model)

Ikegami Tsushinki Co.,Ltd homepage about security
<http://www.ikegami.co.jp/en/products/security/network>
 Design and specifications are subject to change without notice.

*NTSC versions are not available with CE Mark.



Ikegami Tsushinki Co.,Ltd.

■ URL : <http://www.ikegami.co.jp/en/>

I148A083-H14

■ Head Office

5-6-16 Ikegami, Ohta-ku, Tokyo 146-8567, Japan TEL.+81-(0)3-5700-1111 / FAX.+81-(0)3-5700-1137

■ Overseas Sales Division

5-6-16 Ikegami, Ohta-ku, Tokyo 146-8567, Japan TEL.+81-(0)3-5700-4117 / FAX.+81-(0)3-5700-4120

Ikegami Electronics (Europe) GmbH

■ URL : <http://www.ikegami.de>

<http://www.ikegami.co.uk>

■ Headquarters

Ikegami Strasse 1, D-41460 Neuss, Germany TEL.+49-(0)2131-1230 / FAX.+49-(0)2131-102820

UK CUSTOMOR SUPPORT HELP LINE TEL.+44-(0)560-043-3769



Accredited by the Dutch Council for Certification