

SID-650P SID-650TP SID-600P

Anti Vandal Fixed Dome Camera with Zoom Lens (x12 Optical)



Features

The SID-600P series is a range of fixed motorised zoom dome cameras with an Anti-Vandal Housing. The new SID-650P and SID-650TP anti-vandal fixed dome cameras are equipped with latest WDR chip and removable IR cut-filter. The cameras provide excellent images under strong backlighting conditions and offer clear screen quality with 480 lines of horizontal resolution. Ideal for use in banks, retail stores, commercial buildings, prisons and industrial settings. IP 66 and shockproof design. All SID-600P series cameras are designed to withstand intentional or accidental impact or vandalism. The cameras are advanced surveillance devices complete with a 12x motorised optical zoom and a 10x digital zoom. The cameras can be controlled via RS 485 remotely. Ikegami i-LAN™ and third party protocols are supported.

Anti Vandal Fixed Dome Camera with Zoom Lens (x12 Optical)

SID-650P SID-650TP SID-600P



Specifications

	SID-650P	SID-650TP	SID-600P
Imaging Device	1/4 inch, Interline Transfer CCD		
Effective Pixels	752 (H) x 582 (V), 440,000 pixels approx.		
Scanning System	625 lines at 50Hz, 2:1 interlace PAL		
Synchronization System	Internal/Lineclock		
Video Output	VS 1.0 Vp-p/75 ohms		
Horizontal Resolution	480 TV lines (colour/mono)		480TV lines (colour)
S/N Ratio	more than 52 dB (AGC OFF)		more than 50 dB (AGC OFF)
Minimum Illumination	Colour mode : 1.2 Lux (50 IRE) 0.007 Lux (SENSE UP x160)		Colour mode : 1.0 Lux (30 IRE) 0.01 Lux (SENSE UP x128)
	B/W mode : 0.06 Lux (25 IRE) / 0.00035 Lux (SENSE UP x160)		N/A
Pant/Tilt	360°/Panning 180°/Tilting (Manual)		
Day/Night Function	COLOR/BW/AUTO/EXT		N/A
BLC (Backlight Compensation)	OFF/WDR/BLC (SPOT)		ON/OFF/SPOT
High-Speed Electronic Shutter	OFF (1/50), 1/120, 1/250, 1/500, 1/1000, 1/2000, 1/4000, 1/10000		
AGC (Automatic Gain Control)	Available		
White Balance	ATW1/ATW2/AWC/Manual (3200°K, 5600°K, R/B Gain control)		ATW/AWC/Manual (3200°K, 5600°K, R/B Gain control)
Detail Compression	Built in (Level adjustable)		
WDR (Wide Dynamic Range)	Dual shutter dynamic range PAL: x128		N/A
Sensitivity Up	OFF/AUTO x2 to x160		OFF/AUTO x2-x28/FIX x2-x128
Motion Detection	OFF/ON (Area/Sensitivity setting)		
Privacy Mask	Any 8 Positions		N/A
Lens	Focal length: 3.6-43.2 mm Aperture: F1.8 (Wide), F2.6 (Tele) Minimum object distance (MOD): 1 m		
Digital Zoom	ON/OFF (x10)		ON/OFF (x10), PIP
Focus	ONEAF/Manual		ON/ONEAF/Manual
Iris Level	Adjustable		
Camera ID Function	Built in (1 line, 20 characters)		Built in (1 line, 12 characters)
Alarm	Alarm input x1, Alarm output x1		Alarm output x1
Remote Control	RS485 (Half duplex)		
Power Requirement	AC 24V ±10% (PAL: 50Hz ±0.1Hz), DC12V +10% to -5%		
Power Consumption	6W approx.		
Operating Ambient Temperature	-10°C to +50°C		
Operating Humidity	Less than 90%		
Housing Protection	Vandal resistance, IP66 compliant		
Dimensions	150 (ø) x 121.1 mm		132 (ø) x 96.5 mm
Weight	1100 g approx.	880 g approx.	880 g
Accessories	Instruction manual Alarm & RS485 cable Test monitor output cable Gasket Plastic anchor Assy screw machine Assy screw tapping L wrench Template		User's guide Alarm & RS485 cable Decoration-Mount Plastic anchor Assy screw machine Assy screw tapping L wrench Template

Mount Options



WH-65 Wall Bracket
(for SID-650P)



WH-6 Wall Bracket
(for SID-600P)

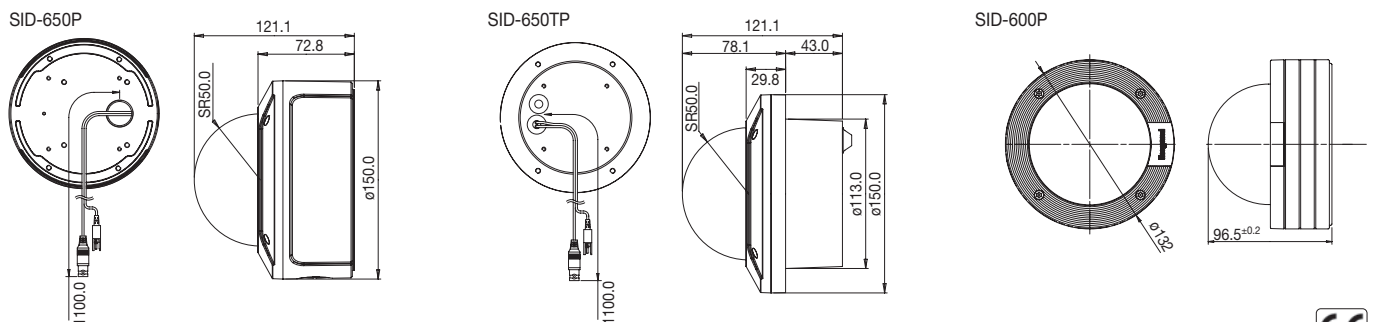


CN-65 Corner Mount
(for SID-650TP)



CN-6 Corner Mount
(for SID-600P and 650P)

Dimensions: mm



Design and specifications are subject to change without notice.



Ikegami Electronics (Europe) GmbH URL <http://www.ikegami.de> <http://www.ikegami.co.uk>

Ikegami Strasse 1, D-41460 Neuss, Germany TEL.+49-(0)2131-1230/FAX.+49-(0)2131-102820

UK CUSTOMER SUPPORT HELP LINE TEL.+44-(0)560-043-3769