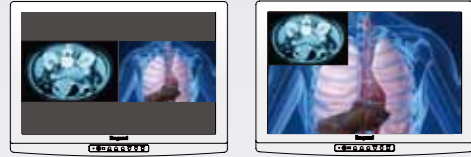


VARIETY OF USEFUL FUNCTIONS AND USER-FRIENDLY OPERATION

Multi-Display function with Side-by-Side and Picture-in-Picture

(MLW-2425C / 2625C / 3225C)

Two types of input images can be displayed simultaneously with Side-by-Side and Picture-in-Picture display mode.



Side by Side

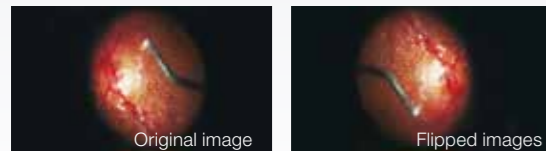
Picture in Picture

*The images are synthesized.

Flip function

(MLW-2422C / 2622C / 2425C / 2625C)

Images can be flipped horizontally and vertically, allowing the correction of image inversion caused by the optics.



Original image

Flipped images

Various Gamma Characteristics

(MLW-1712C / 2422C / 2622C / 2425C / 2625C / 3225C)

Variety of Gamma setting can be set, including the Standard CRT Gamma of 2.2 and the DICOM Gamma.

Hue and Chroma setting for all kind of input signal

(MLW-1712C / 2422C / 2622C / 2425C / 2625C / 3225C)

Colour can be adjusted flexibly for user's favorite by Hue and Chroma.

Anti-Reflection hard coat Screen

(MLW-1712C / 2422C / 2622C / 2425C / 2625C / 3225C)

Anti-Reflection hard coat screen is installed as standard to reduce the effect of the reflection and to protect the LCD panel.



IR remote controller

(Option: MLW-2425C / 2625C / 3225C)

A remote controller can be attached as an option to help with setting up of the monitor when the it is installed at a high position.

[Signal availability list of Side-by-Side and Picture-in-Picture]

CH2	CH1	SDI	SD-RGB-S	HD-Y, Pb, Pr	Y/C	VBS	PC	DVI
SDI	△1	○	○	○	○	○	○	○
SD-RGB-S	○	△2	△2	○	○	△2	○	○
HD-Y, Pb, Pr	○	△2	△2	○	○	△2	○	○
Y/C	○	○	○	×	×	○	○	○
VBS	○	○	○	×	×	○	○	○
PC	○	△2	△2	○	○	△2	○	○
DVI	○	○	○	○	○	○	○	△2

* The maximum resolution of the sub screen is SXGA.
 * △1 is available when an optional Multi SDI module is installed.
 * △2 is available when an optional RGB module is installed.

Aspect switching

(MLW-1712C / 2422C / 2622C / 2425C / 2625C / 3225C)

	Normal	Full	Clear
NTSC/PAL	1600x1200 	1920x1200 	720x540
HD	1920x1080 	1920x1200 	1920x1080

* MLW-1712C is not applied because the maximum resolution is 1280x768.

Display power management function

(MLW-1712C / 2422C / 2622C / 2425C / 2625C / 3225C)

The chosen signal is not input for more than 30 seconds, the monitor automatically can turn OFF to save the power. The function can set ON/OFF.

User memory

(MLW-1712C / 2422C / 2622C / 2425C / 2625C / 3225C)

Maximum four (4) settings can be set as preset. The parameter such as colour temperature, hue, chroma, gamma, R/G/B gain and display mode can be saved for each user or application.

Maximum 30 meters length of DVI-D cable available

(MLW-1712C / 2422C / 2622C / 2425C / 2625C / 3225C)

Signal compensation function is installed and the signal degradation is prevented. Then, maximum 30 meters length of DVI-D cable can be used with the monitor.

VESA mount available

A variety of installation brackets for arms and walls can be chosen with the combination of VESA mount.

MLW-1712C MLW-2422C MLW-2622C
MLW-2425C MLW-2625C MLW-3225C

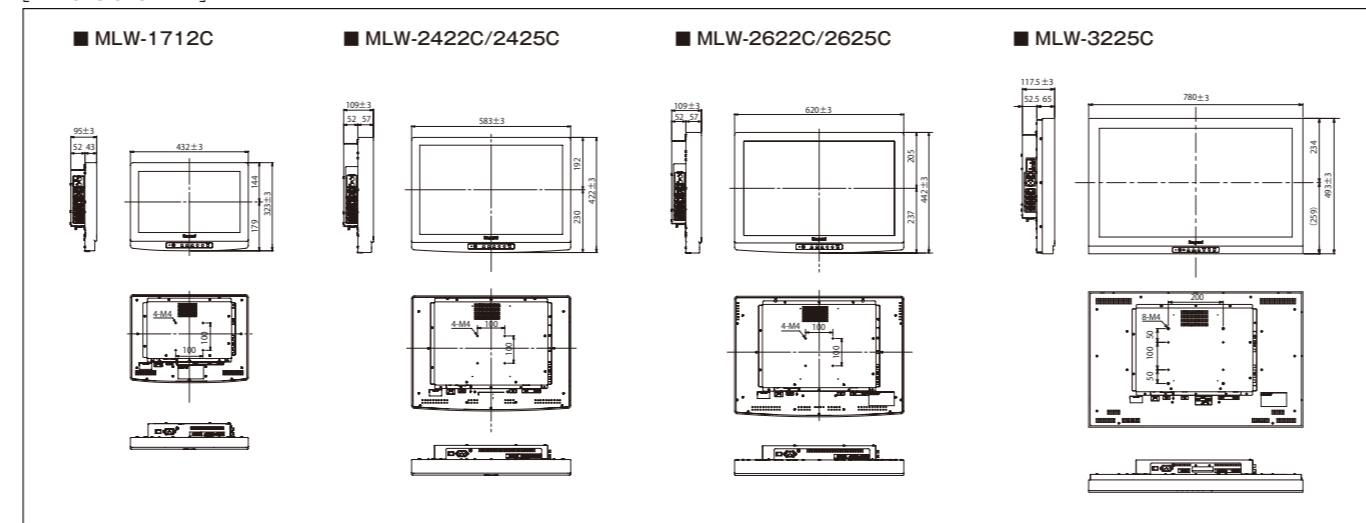


[SPECIFICATIONS]

	MLW-1712C	MLW-2422C	MLW-2622C	MLW-2425C	MLW-2625C	MLW-3225C	
LCD Panel	Panel Size	17-inch	24-inch	26-inch	24-inch	26-inch	
	Pixels	1280×768	1920×1200	1920×1200	1920×1200	1920×1080	
	Display Size	370×322mm	518×324mm	550×344 mm	518×324 mm	550×344 mm	
	Aspect Ratio	16:10	16:10	16:10	16:10	16:10	
	Colour Gradient	8-bit x 3 (16.7M)	10-bit x 3 (1.06B)	8-bit x 3 (16.7M)	10-bit x 3 (1.06B)	8-bit x 3 (16.7M)	
Input Signal	SDTV	Analog	VBS x 1ch				
			Y/C x 1ch				
	HDTV	Digital	RGB or Y/Pb/Pr x 1ch				
			Multi-SDI x 1ch (Option)				
	PC	Digital	RGB or Y/Pb/Pr x 1ch (2ch is available with adding option module) *3				
			Multi-SDI x 1ch (2ch is available with adding option module) *3				
	PC	RGB Analog	DVI-D x 1ch				
			HD15P D-Sub x 1ch (2ch is available with adding option module) *3				
	General	Supported Resolution	VGA to WUXGA				
		Multi Display	Picture in Picture or Side by Side Swap display is available				
Invert Top and Bottom or Right and Left Function		Standard					
Remote Terminal		Parallel/Serial					
Resolutions (TVL)		1000 TV Line or more (at component input)					
Maximum Brightness		370cd/m ²	400cd/m ²			500cd/m ²	
Contrast Ration		800:1 (Typical)	1000:1 (Typical)			1300:1 (Typical)	
Safety Approval		UL60601-1, CSA22.2No.601, EN60601-1					
EMC Approval		FCC Class A, EN60601-1-2, VCCI Class A					
Power Requirement		AC100V to AC120V, AC200V to AC240V					
Operation	Power Consumption	54W Max.	120W Max.	130W Max.	160W Max.		
	Temperature	5 to 35°C					
	Humidity	30 to 80% (non condensing)					
Storage	Temperature	-20 to 60°C					
	Humidity	30 to 90% (non condensing)					
Dimensions (excluding stand and protrusions)	Weight (excluding stand)	W432×H323×D95 mm	W583×H422×D109 mm	W620×H442×D109 mm	W583×H422×D109 mm	W620×H442×D109 mm	
	Weight (excluding stand)	5.0kg or less	7.2kg or less	8.2kg or less	7.4kg or less	13.0kg or less	
Accessories	AC Power Cable, Manual						

*3 Only one option module is available to built in.

[Dimensions: mm]



This product is made of ECO friendly components based upon the Company policy and Corporate Social Responsibility to help Global Environmental solution for energy conservation and environmental sustainability, and all the components used in this product are Non-hazardous, Toxic Free, Non-Lead materials and parts conforming with Japan's Green Product Regulation, EU's RoHS Direction, and other environmental and hazardous chemical substances related regulations and laws.

Design and specifications are subject to change without notice.

Ikegami Tsushinko Co., Ltd.

URL: <http://www.ikegami.co.jp/en/>

U197A113-HAI

■ Head Office
5-6-16 Ikegami, Ohta-ku, Tokyo 146-8567, Japan TEL.03-5700-1111/FAX.03-5700-1137
 ■ Overseas Sales Division
5-6-16 Ikegami, Ohta-ku, Tokyo 146-8567, Japan TEL.03-5700-4117/FAX.03-5748-2200

Ikegami Electronics (Europe) GmbH URL: <http://www.ikegami.de>

■ Headquarters
Ikegami Strasse 1, D-41460 Neuss, Germany TEL.02131-1230/FAX. 02131-102820

■ U.K. Branch
Unit E1 Cologne Court, Brooklands Close, Windmill Road, Sunbury-on-Thames, Middlesex TW16 7EB, England TEL.01932-769700/FAX.01932-769710

■ Denmark Office
Horkær 7-9, 2730 Herlev, Denmark TEL.3880-9903/FAX.3881-9903



Accredited by the Dutch Council for Certification

Ikegami

Ikegami Medical Grade Full HD LCD Monitors

17 inch MLW-1712C

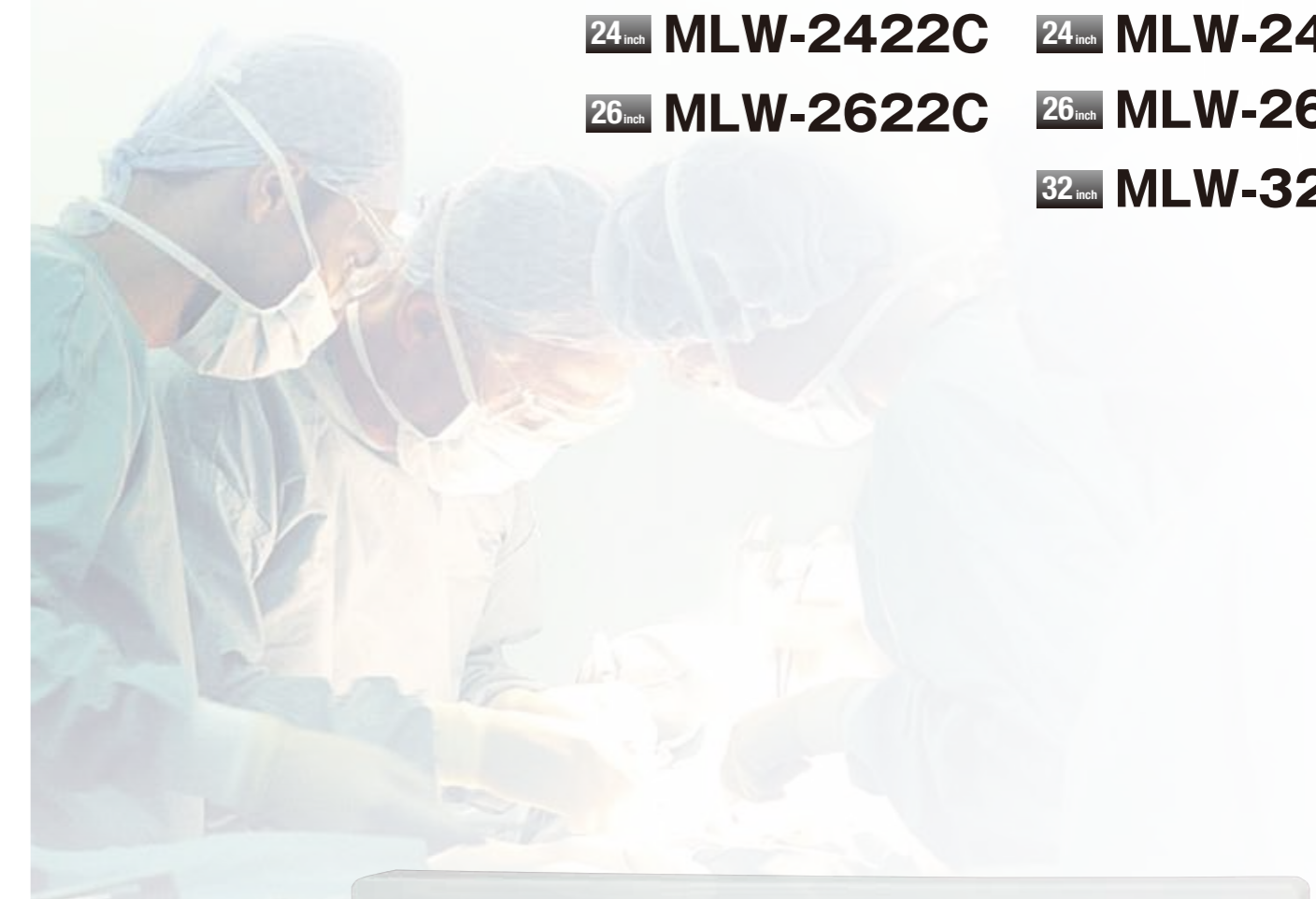
24 inch MLW-2422C

24 inch MLW-2425C

26 inch MLW-2622C

26 inch MLW-2625C

32 inch MLW-3225C



Natural colour reproduction and Full High Definition images for medical applications

The Ikegami Medical LCD monitors realize true colour and Full High Definition delivering industry leading medical image reproduction.

HIGH QUARITY STANDARD SINGLE DISPLAY MPDEL



17-inch LCD Colour Monitor
MLW-1712C

Very Fine LCD; 1280 (H) x 768 (V) dot (WXGA)
Full Colour Reproduction: 16.7 Million colour graduation (8-bit x 3-Colour)

Maximum Brightness Performance: 370cd/m²
Contrast Ratio: 800:1 (Typical)

10-bit input signal process
Single Display Mode

Input Signal: VBS, Y/C, Y/Pb/Pr, RGB, DVI-D, PC



24-inch LCD HD Colour Monitor
MLW-2422C

Very Fine LCD; 1920 (H) x 1200 (V) dot (WUXGA)
Full Colour Reproduction: 1.06 Billion colour graduation (10-bit x 3-Colour)

Maximum Brightness Performance: 400cd/m²
Contrast Ratio: 1000:1 (Typical)

10-bit input signal process
10-bit LCD Panel

Invert Top and Bottom or Right and Left Function
Single Display Mode

Input Signal: VBS, Y/C, Y/Pb/Pr, RGB, DVI-D, PC



26-inch LCD HD Colour Monitor
MLW-2622C

Very Fine LCD; 1920 (H) x 1200 (V) dot (WUXGA)
Full Colour Reproduction: 16.7 Million colour graduation (8-bit x 3-Colour)

Maximum Brightness Performance: 400cd/m²
Contrast Ratio: 1000:1 (Typical)

10-bit input signal process
10-bit LCD Panel

Invert Top and Bottom or Right and Left Function
Single Display Mode

Input Signal: VBS, Y/C, Y/Pb/Pr, RGB, DVI-D, PC

HIGH QUALITY MULTI DISPLAY MODE MODEL



24-inch LCD HD Colour Monitor
MLW-2425C

Very Fine LCD; 1920 (H) x 1200 (V) dot (WUXGA)
Full Colour Reproduction: 1.06 Billion colour graduation (10-bit x 3-Colour)

Maximum Brightness Performance: 400cd/m²
Contrast Ratio: 1000:1 (Typical)

10-bit input signal process

10-bit LCD Panel

Invert Top and Bottom or Right and Left Function

Multi Display Mode (Picture-in-Picture/Side-by-Side)

Input Signal: VBS, Y/C, Y/Pb/Pr, RGB, DVI-D, PC



26-inch LCD HD Colour Monitor
MLW-2625C

Very Fine LCD; 1920 (H) x 1200 (V) dot (WUXGA)
Full Colour Reproduction: 16.7 Million colour graduation (8-bit x 3-Colour)

Maximum Brightness Performance: 400cd/m²
Contrast Ratio: 1000:1 (Typical)

10-bit input signal process

Invert Top and Bottom or Right and Left Function

Multi Display Mode (Picture-in-Picture/Side-by-Side)

Input Signal: VBS, Y/C, Y/Pb/Pr, RGB, DVI-D, PC



32-inch LCD HD Colour Monitor
MLW-3225C

Very Fine LCD; 1920 (H) x 1080 (V) dot (Full-HD)
Full Colour Reproduction: 1.06 Billion colour graduation (10-bit x 3-Colour)

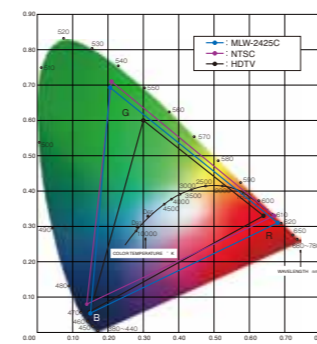
Maximum Brightness Performance: 500cd/m²
Contrast Ratio: 1300:1 (Typical)

10-bit input signal process

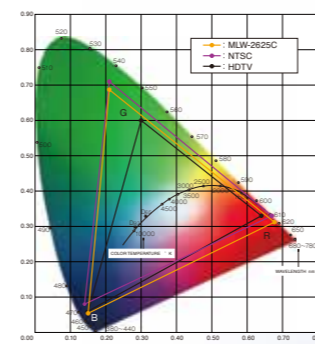
Invert Top and Bottom or Right and Left Function

Multi Display Mode (Picture-in-Picture/Side-by-Side)

Input Signal: VBS, Y/C, Y/Pb/Pr, RGB, DVI-D, PC



MLW-2422C / 2622C:
NORMAL / WIDE



MLW-2425C / 2625C:
FULL / SMPTE-C / EBU / sRGB / WIDE1 / WIDE2

CONFORMITY TO SAFETY REGULATION AND EMC REQUIREMENT FOR MEDICAL USE

Applicable safety regulation

(MLW-1712C/2422C/2622C/2425C/2625C/3225C)

UL6060-1, CAS22.2No.601.1, EN60601-1

EMC Requirement

(MLW-1712C/2422C/2622C/2425C/2625C/3225C)

FCC Class A, EN60601-1-2, CVVI Class A

HIGH QUALITY LCD DISPLAY AND SUPERIOR IKEGAMI IMAGE PROCESSING

10-bit signal input

(MLW-1712C / 2422C / 2622C / 2425C / 2625C / 3225C)

10-bit signal input is available.

* DVI-D is excluded.

10-bit signal process engine

(MLW-1712C / 2422C / 2622C / 2425C / 2625C / 3225C)

10-bit signal processing based on Ikegami image processing technology allows the smooth gradation of colour.

10-bit LCD panels

(MLW-2422C / 2425C / 3225C)

Further smooth colour gradation can be achieved by processing 10 bit signal from signal input to display.

Jaggy-less I/P conversion process

(MLW-1712C/2422C/2622C/2425C/2625C/3225C)

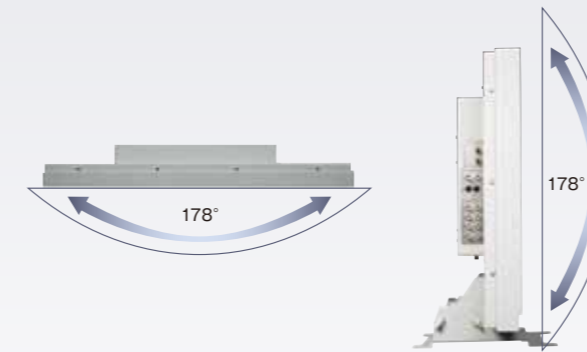
Ikegami unique Jaggy-less I/P conversion process enables the smooth and clear lines on the display.

178 degrees high contrast viewing angle

(MLW-2422C / 2425C / 2622C / 2625C)

LCD panel based on IPS technology is employed for 178 degrees high contrast viewing on UP/DOWN/LEFT/RIGHT. This characteristic prevents from intensity and colour shift by the viewing angle.

* The viewing angle of MLW-1712C is 170 degrees.



APPLICABLE VARIOUS INPUT SIGNAL (MLW-1712C/2422C/2622C/2425C/2625C/3225C)

Applicable to HD signal (RGB, Component), NTSC/PAL signal (Composite, Y/C) and PC signal input (Analog RGB, Digital DVI-D).

SD/HD-SDI signal input is available too.

[Applicable Video Input]

Input Signal Format	MLW-1712C/2422C/2622C/2425C/2625C/3225C				
	Video/S-Video	Component	PC	DVI-D	SDI
	BNC x 1, S-Video x 1	BNC x 4	15pinD-Sub x 1	DVI-Dx1	BNCx1
	Loop Through Output	Y/Pb/Pr or RGB switchable Loop Through Output	Y/Pb/Pr or RGB switchable Hsvs, G-Sync or C-Sync (SD,HD is only G-Sync)		Loop Through Output
480/59.95i	○	—	—	—	—
575/50i	○	—	—	—	—
480/60i	—	○	○	○	○*1
575/50i	—	○	○	○	○*1
480/60P	—	○	—	—	—
575/50P	—	○	—	—	—
720/50P	—	○	○	○	○*1
720/60P	—	○	○	○	○*1
1080/50i	—	○	○	○	○*1
1080/60i	—	○	○	○	○*1
1080/50P	—	—	○	○	—
1080/60P	—	—	○	○	—
VGA (Vrf=60Hz,H/V Sync only)	—	—	○	○	—
SVGA (Vrf=60Hz,H/V Sync only)	—	—	○	○	—
SXGA (Vrf=60Hz,H/V Sync only)	—	—	○*2	○*2	—
UXGA (Vrf=60Hz,H/V Sync only)	—	—	○*2	○*2	—
WUXGA (Vrf=60Hz,H/V Sync only)	—	—	○*2	○*2	—

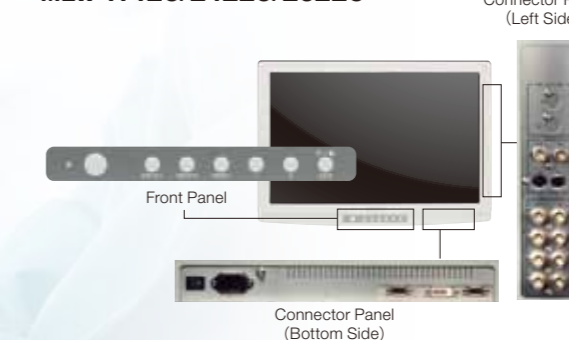
*1: MLW-1712C/2422C/2622C is available as option.

MLW2425C/2625C/3225C is available as standard for 1 channel and as option for 2 channel.

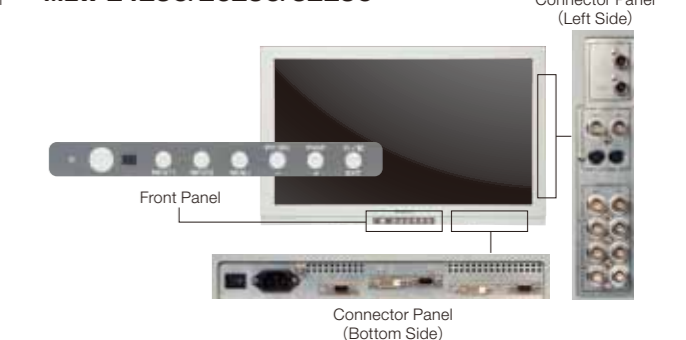
*2: MLW-1712C is available with reduced display.

FRONT PANEL AND CONNECTOR PANEL

MLW-1712C/2422C/2622C



MLW-2425C/2625C/3225C

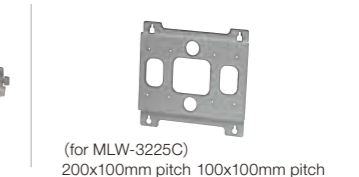


OPTION

DESKTOP STAND



VESA MOUNT ADAPTOR



Multi-SDI Module
BNC x 2ch (Input and Loop Through Out)

RGB Module
HD15P D-Sub x 1ch and DVI x 1ch