

Ikegami

Multi Format Production Switcher

HSS-300 Series



Compact Production Switcher

HSS-300 Series



2M/E 26 Button



2M/E 18 Button

Employing the HSS-3000 concept

Employing the technology developed for the HSS-3000, the HSS-300 achieves HD/SD multi format support, full function, and high reliability in a compact 3RU electronic frame.

Multi-Format support

HD/SD multi-format facility minimizes investment in the transition period from SD to HD. In particular, it will be a cost effective choice if the customer has a plan to upgrade to HD in the near future.

Optional 3D DVE or 2D DVE

An optional 2ch three dimensional DVE or 2D simple DVE is available.

Programmable Effects capability

Complex motion effects can be programmed with the operation memory function.

AVDL and Color Corrector facility in input module

AVDL facility can adjust phase of each input signal. And Color Corrector function allows adjustment of gain, hue, black and gamma. These facilities may eliminate the need for external units.

Console Type Variation

By the combination of PGM/PST or A/B Bus, 26/18/10 Button (PGM/PST) or 28/20/12 Button (A-B Bus) and 2M/E or 1M/E, total 8 different Console designs are available.



LCD Touch Screen



2M/E 28 Button



2M/E 26 Button

High Reliability

To achieve high reliability, the HSS-3000 employs redundant power supplies, hot swappable modules. Ikegami's original OS for the Electronic Frame and Operation Console achieves a quick boot within 10 sec. from power on or system reset.*

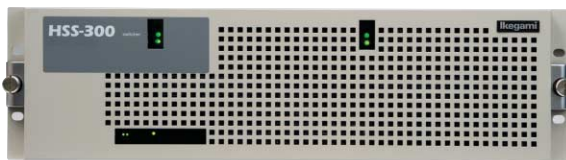
*excluding Touch Screen.

Console Tilt Mechanism

In order to ensure easy operation, the LCD and Effect Control Portion (far side from Operator) can be tilted up from 9 to 55 degree.

Electronic Frame

The Electronic Frame is 19 inch Rackmount, 3 RU size. 24/16/8 inputs and 12/8 outputs configuration permits flexible system integration. To ensure reliability, it has facility for redundant power supply and hot swappable modules.



Front Panel



Rear Panel

System Familiarity

Employs 4 Sync Generators (Tri Level/BB Selectable), AVDL facility, R/G Tally, and Monitor/Machine Tally Ports. It supports easy System Integration.

AUX select Panel/Box (Option)

32/16 Button, Rack Mount Type or Box type are available. Source Name Indicator on the front panel provides easier monitor



DCP-151 CTRL-32L-P

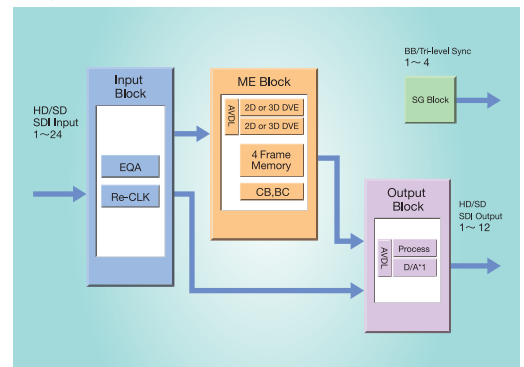


DCP-138 CTRL-8L-P



DCP-151 16L-P

System Diagram



2M/E 18 Button



1M/E 12 Button



Rating and Performance

■HSS-300 Series

Number of Source Input	Up to 24/16/8 Inputs, HD SDI (SMPTE292M) / SD SDI (SMPTE259M)
Number of M/E Output	Up to 12/8 Outputs, HD SDI (SMPTE292M) / SD SDI (SMPTE259M)
AVDL timing	-1.3H ~ +0.7H
Output phase control range	+0.3H ~ +1.3H
Dimensions	Electronic Frame : H132xW483xD500mm/H5.2xW19.0xD19.7inch(3RU)
	2M/E, 10/12 Button Console : H176xW483xD500mm/H6.9xW19.0xD19.7inch (4RU)
	2M/E, 26/28 Button Console : H176xW652xD500mm/H6.9xW25.7xD19.7inch (4RU)
Power Consumption	Electronic Frame : 400VA or less
	Operation Console : 300VA or less

■Common Section

External Sync	Tri-Level Sync +/-0.3V High Impedance, 59.94Hz or NTSC BB 0.286Vp-p High Impedance
Video Delay	1.0H Typical, +/-0.3H adjustable
Control Sytem Delay	2VD (32ms) or better
Operating Temperature	0 ~ 45°C
Console Control	Ethernet 100BASE-TX, RJ-45 Cable (100m Max.)
General Control	ARCNET BNC 75Ω Cable
Recovery after Power Down	Less than 24 hours: Automatic recovery as it was.
	Longer than 24 hours: Default condition (In case of low back-up voltage)
Power Requirement	AC+100V or AC+200V (Automatic sensing) *Votage range: +85V ~ +132V / +170V ~ +264V

Design and specifications are subject to change without notice.

*NTSC versions are no available with CE Mark.



Ikegami Tsushinki Co.,Ltd.

■ URL : <http://www.ikegami.co.jp/en/>

■ **Head Office**
5-6-16 Ikegami, Ohta-ku, Tokyo 146-8567, Japan TEL.03-5700-1111/FAX.03-5700-1137

■ **Overseas Sales Division**
5-6-16 Ikegami, Ohta-ku, Tokyo 146-8567, Japan TEL.03-5700-4114/FAX.03-5748-2200

Ikegami Electronics (Europe) GmbH ■ URL : <http://www.ikegami.de>

■ **Headquarters**
Ikegami Strasse 1, D-41460 Neuss, Germany TEL.02131-1230/FAX. 02131-102820

■ **U.K. Branch**
Unit E1 Cologne Court, Brooklands Close, Windmill Road, Sunbury-on-Thames, Middlesex TW16 7EB, England TEL.01932-769700/FAX.01932-769710

■ **Denmark Office**
Frederikssundsvej 266, 2700 Broenshoej, Denmark TEL.3880-9903/FAX.3881-9903

SH62A068-HI-K1 Printed in Japan



Accredited by the Dutch Council for Certification