

# Ikegami

## MKC-210HD

1CMOS FULL HDTV  
Medical Grade Camera



1920 X 1080

- Newly Developed 1/3-inch FULL HDTV (1920x1080) CMOS chip
- High Resolution: Horizontal 900 TV lines, S/N50dB
- High Sensitivity: F7 at 2000lux
- Ultra Compact Camera-Head: W31xH31xD36mm
- Excellent Operability for Use in the Medical Field



### Ultra Compact Camera-Head

The camera-head is extremely small (W31xH31xD36mm) and lightweight.

### High Resolution and High Sensitivity

The MKC-210HD employs a 2.2Mega pixel 1/3-inch CMOS Sensor to provide 900 lines of high resolution video image, high S/N ratio of 50dB and high sensitivity of F7/2000lux.

### Digital Processing

Video signal processing is done in the same signal process as Ikegami's broadcast cameras to constantly achieve the same high level of quality and reliability.

### Various Types of Video Signal Outputs

Equipped with several video signal outputs such as digital HD signal (HD-SDI), DVI digital signal (1920x1080), NTSC/PAL composite signal (VBS) and S-VIDEO to deal with various types of signals. Adding one more channel of DVI output is available as an option.

### Automatic Electronic Shutter System (Shutter Iris)

Electronic shutter (Shutter Iris) functionality maintains the optimized performance in a variety of situations.

### Automatic Iris Control

Accurate iris control is possible with Auto-iris camera adaptors and Auto-iris lenses.

\* This is used for the shadowless lamp system.

### Picture Freeze

Pressing the Freeze button on the CCU panel will hold the current image. This allows the detailed inspection of situations where the motion could hide the details. The function is also available with the optional foot pedal.

### Scene File

4 scene files are provided to keep pre-set memories for functions and controls. It is easily possible to call suitable programs to adapt the conditions for taking photographs by this function.

### Flip and Turn Function

Digital capture means that captured images can be flipped horizontally and vertically by the digital processing to correct TV images against the optical inversion caused by optical instruments. An optional foot pedal is required to allow an external operation for this function.

### Electronic Zoom Function

The center of video image on the screen can be zoomed up to four times by using this function.

### Rating

Scanning System	1920x1080, 50/59.94 frames, Progressive
Image Pickup Device	1/3-inch CMOS with 2.2 megapixels (1920x1080)
Effective Pixels	1920(H)x1080(V) RGB Color Filter
Lens Mount	C-Mount
Output Signal	HDTV: HD-SDI BNC 2ch DVI : 1920x1080p or i(convertible type) 1ch (Adding one channel is possible as an option) Down Converter Output : SDTV : NTSC/PAL composite BNC 1ch Y/C : S terminal 1ch
External Synchronization	HDTV Tri-level SYNC (0.6Vp-p)/75ohm 1ch
Operating Temperature	0°C to +40°C
Power Requirement	DC12V±10%
Power Consumption	Approx. 16W or less
Weight	Camera Head: approx. 60g CCU: 1.1kg or less
Dimensions	Camera Head: W31xH31xD36mm (Projected parts are not included) CCU: W170xH58xD200mm (Projected parts are not included)
Camera Cable	5m or 10m single (Selectable depending on the composition)

### Performance

Sensitivity	F7 at 2000 lux/3200°K (standard)
S/N Ratio	50dB (standard, Gamma/Detail off)
Resolution	900TV Lines (Y)

### Function

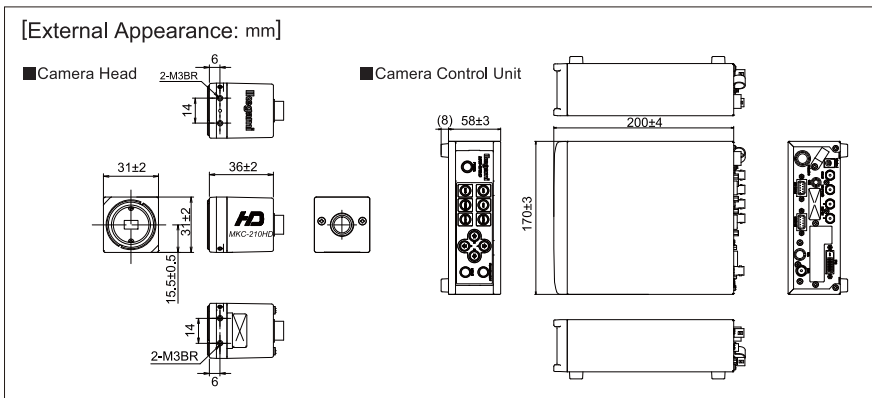
Auto White Balance	Available on the front panel of CCU
Auto IRIS	DC IRIS (Bayonet Mount Lens IRIS) Control Type
Auto Shutter	1/60 – 1/4000 (Rolling Shutter)
Auto Gain Control	0 – 18db
Photometry Area	4 Types + User Set-up
Scene File	4 Position (Calling the positions by the switch on the front panel of CCU)
Picture Freeze	CCU front panel or Foot Pedal (option)

### Standard Accessories

AC Adapter, Operation Manual
------------------------------

### Optional Accessories

DVI Board, Foot Pedal with Two Switches
---



U246A1210-EU

## Ikegami Tsushinki Co.,Ltd.

■ URL : <http://www.ikegami.co.jp/en/>

■ Head Office : 5-6-16 Ikegami, Ohta-ku, Tokyo 146-8567, Japan ----- TEL.03-5700-1111 / FAX.03-5700-1137  
 ■ Overseas Sales Division : 5-6-16 Ikegami, Ohta-ku, Tokyo 146-8567, Japan ----- TEL.03-5700-4117 / FAX.03-5748-2200  
 ■ Beijing Office : No.417 Jia Tai International Mansion, No. 41 East Fourth Ring Road, Chaoyang District, Beijing, China ----- TEL.010-85711804 / FAX.010-85711804

## Ikegami Electronics (U.S.A.), INC.

■ URL : <http://www.ikegami.com>

■ Headquarters : 300 Route 17 South, Mahwah, NJ 07430 ----- TEL.(201) 368-9171 / FAX.(201) 569-1626

## Ikegami Electronics (Europe) GmbH

■ URL : <http://www.ikegami.de>

■ Headquarters : Ikegamistraße 1, D-41460 Neuss, Germany ----- TEL.02131-1230 / FAX.02131-102820

